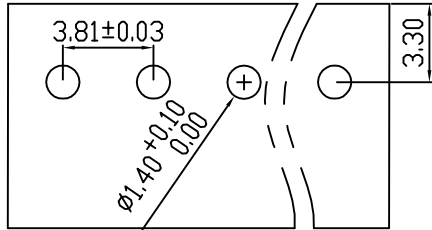
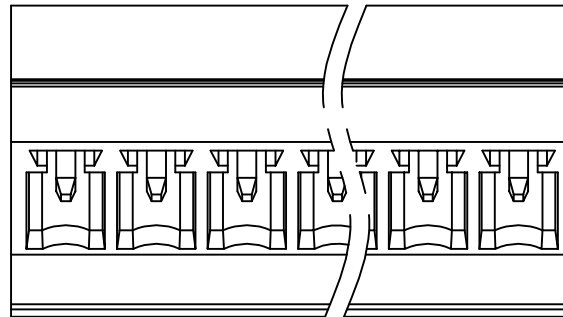


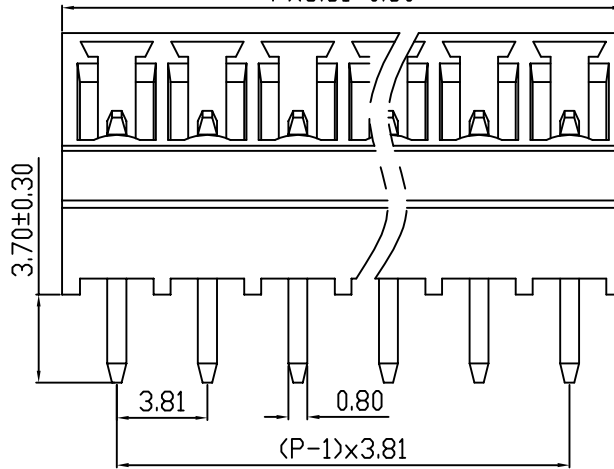
| linear dimension(Tolerances Standard GB/T 14486-2008) |       |        |         |         |         |          |          | — ▯ ⊥ |         |          |
|---|-------|--------|---------|---------|---------|----------|----------|-------|---------|----------|
| variable range  | to 6  | over 6 | over 10 | over 30 | over 60 | over 100 | over 160 | to 10 | over 10 | over 100 |
|   |       | to 10  | to 30   | to 60   | to 100  | to 160   | to 100   |       | to 100  |          |
| tolerance   | ±0.20 | ±0.30  | ±0.50   | ±0.70   | ±1.00   | ±1.30    | ±1.60    | 0.10  | 0.30    | 0.60     |



PCB LAYOUT



P×3.81±0.80

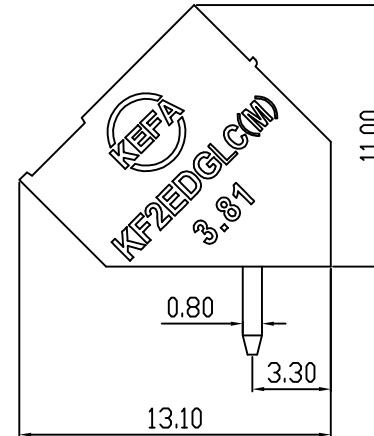


3.70±0.30

3.81

0.80

(P-1)×3.81

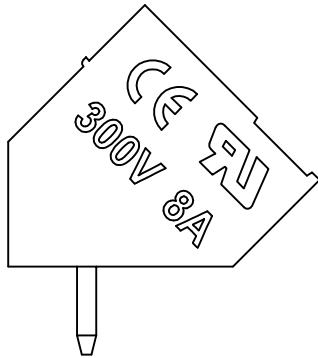


11.00

0.80

3.30

13.10



| REVISION RECORD |             |         |          |          |
|-----------------|-------------|---------|----------|----------|
| REV.            | DESCRIPTION | ECN No. | APPROVED | DATE     |
| A               | 新发行         |         | CLF      | 22.04.12 |
|                 |             |         |          |          |
|                 |             |         |          |          |

| UL/CUL 技术参数<br>UL/CUL Technical Data |   |                  |     |     |
|--------------------------------------|---|------------------|-----|-----|
| 等级                                   | Use Group                                   | B                | C   | D   |
| 额定电压                                 | Rated Voltage [V]                           | 300              | -   | 300 |
| 额定电流                                 | Rated Current [A]                           | 8                | -   | 10  |
| 接线范围                                 | Wire Range                                  | -                |     |     |
| 单/多芯线                                | Solid/Stranded [AWG]                        | -                |     |     |
| 耐电压                                  | Withstanding Voltage                        | AC1600V/1Min     |     |     |
| IEC 技术参数<br>IEC Technical Data       |   |                  |     |     |
| 过电压类别                                | Overvoltage Category                        | III              | III | II  |
| 污染等级                                 | Contamination Class                         | 3                | 2   | 2   |
| 额定电压                                 | Rated Voltage [V]                           | -                | 160 | 320 |
| 额定电流                                 | Rated Current [A]                           | -                | 7   | 7   |
| 额定冲击电压                               | Impulse withstand voltage <sup>a</sup> [KV] | -                | 2.5 | 2.5 |
| 导线截面积                                | Conductor cross section                     | -                |     |     |
| 硬质/柔性导线                              | Solid/flexible [mm <sup>2</sup> ]           | -                |     |     |
| 材料 Material                          |   |                  |     |     |
| 绝缘材料                                 | Insulation Material                         | PA66             |     |     |
| 阻燃等级                                 | Imflammability                              | -                |     |     |
| 导体材料                                 | Contactive Material                         | 铜合金 Copper alloy |     |     |
| 导体表面镀层                               | Contactive Coating                          | 镀锡 Tin Plated    |     |     |
| 一般参数 Other Data                      |   |                  |     |     |
| 间距                                   | Pitch [mm]                                  | 3.81             |     |     |
| 极数                                   | Poles [P]                                   | 2-24             |     |     |
| 剥线长度                                 | Stripping Length [mm]                       | -                |     |     |
| 螺丝                                   | Screw/扭矩 Torque(Max) [N.m]                  | -                |     |     |
| 工作温度                                 | Operating temperatur [°C]                   | -40--+105        |     |     |
| 引针尺寸                                 | Pin Dimensions [mm]                         | 3.7              |     |     |
| PCB板孔径                               | PCB Hole Diameter [mm]                      | 1.4              |     |     |

|      |     |      |          |
|------|-----|------|----------|
| DES. | LQQ | DATE | 22.04.12 |
| CHK. | BY  | DATE | 22.04.12 |
| APP. | CLF | DATE | 22.04.12 |

|  |    |         |    |          |     |
|--|----|---------|----|----------|-----|
| 单位/UNITS                                     | mm | 尺寸/SIZE | A4 | 比例/SCALE | 1:1 |
| 慈溪市科发电子有限公司<br>CIXI KEFA ELECTRONIC CO., LTD |    |         |    |          |     |

|                             |  |          |               |
|-----------------------------|--|----------|---------------|
| 第三视角/THIRD ANGLE PROJECTION |  | 版本/REV   | A             |
|                             |  | 名称/TITLE | KF2EDGLC-3.81 |